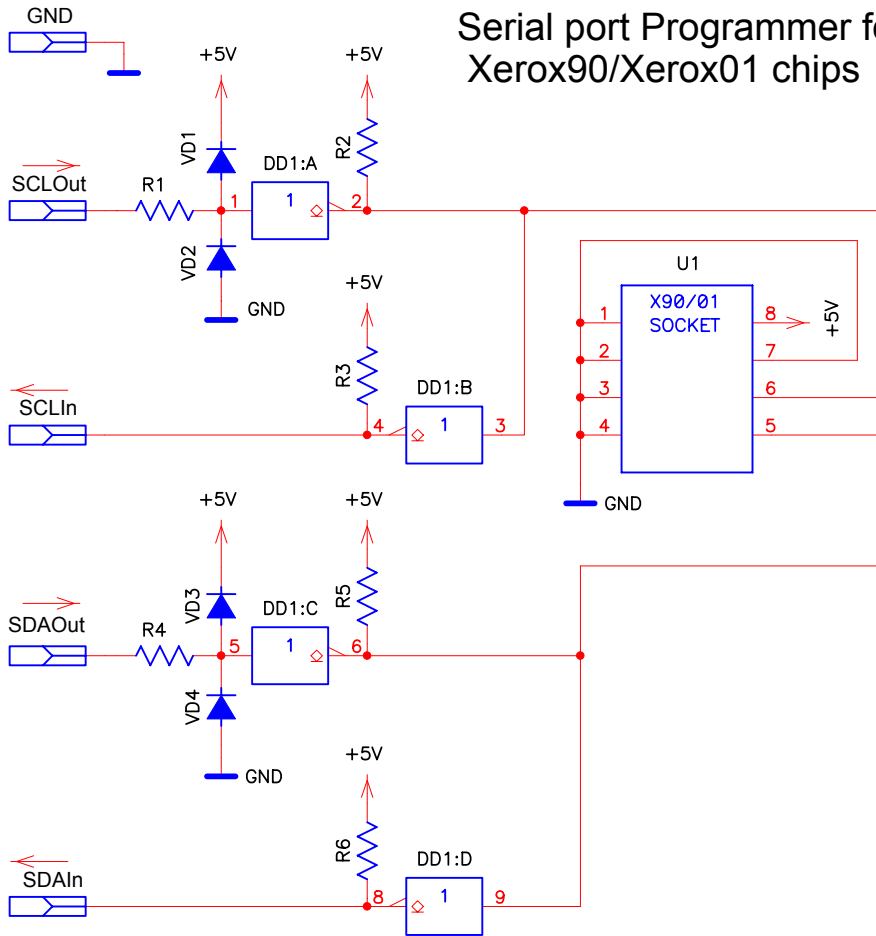


## Serial port Programmer for Xerox90/Xerox01 chips



Net	Direction	PC-25	PC-9	Name
SCLOut	→	4	7	RTS
SCLIn	←	6	6	DSR
SDAOut	→	20	4	DTR
SDAIn	←	5	8	CTS
GND		7	5	GND
1-WireOut	→	2	3	TXD
1-WireIn	←	3	2	RXD

PC 25: Serial (PC-25) Connector  
 PC 9: Serial (PC-9) Connector  
 Signal direction: PC Serial port - programmer  
 +5V - external voltage

+5V to pin 14 DD1  
 GND to pin 7 DD1  
 DD1- 74LS05 (54LS05, M74HC05,  
 KR1533LN2, KR555LN2 etc...)  
 VD1..VD6 - any impulse diode with  
 reverse voltage >15V  
 R1..R12 - 2 kOm

## Serial port Interface for 1-Wire chips

